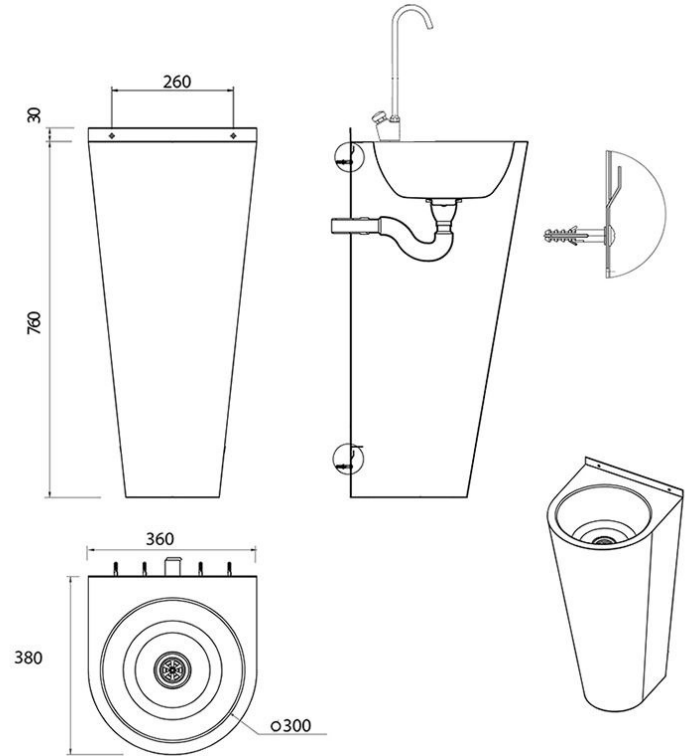


## Floorstanding Junior Height Bottle Filling Fountain



Product Code: FSBFF-J

### Floorstanding Junior Bottle Filling Fountain

Product Code FSBFF-J

The stainless steel junior floorstanding bottle fountain provides a strong, attractive, easily cleaned solution for delivering drinking water.

The WRAS approved push button bottle filling swan neck tap is located away from the back wall making it easier for the user to fill cups and bottles. The self closing valve prevents water wastage.

Manufactured from 1.6mm thick grade 304 stainless steel with a junior height shroud the bottle and cup filling station is very robust and resistant to vandalism. The rounded front provides safety for users whilst the shroud allows for the water pipes and waste to be concealed.

With a high polish bowl the junior height bottle filling station is easily maintained ensuring a long lasting finish. The smooth radius design helps prevent injuries associated with sharp corners, and along with the 30mm rear upstand aids cleaning which improves hygiene. The compact design allows the bottle filler station to be easily installed in any suitable location.

### Dimensions & Specifications:

Width: 360mm.

Depth: 380mm from wall.

Height: 760mm plus 30mm rear upstand.

Material: 1.6mm thick grade 304 stainless steel.

Bottle filler: WRAS approved [Swan neck push button bottle filling tap](#).

### Supplied With:

Integral wall fixing brackets.

32mm flush grated waste fitting.

Standard chrome plated swan neck cup.

### Delivery:

In stock, usually delivered in one to two working days.

### Optional Fountain Extras:

[McAlpine plastic 32mm bottle trap](#).

\*\*All pictures shown are for illustration purpose only and may be subject to change without notice. Actual product may vary due to product enhancement.

All dimensions shown are for guidance only and may be subject to change or alteration without notice. All items manufactured or purchased separately from a third party to fit our products

should be checked against the actual dimensions of the physical product before purchase. We will not be liable for third party costs and consequential loss associated with the items not fitting third party components.\*\*