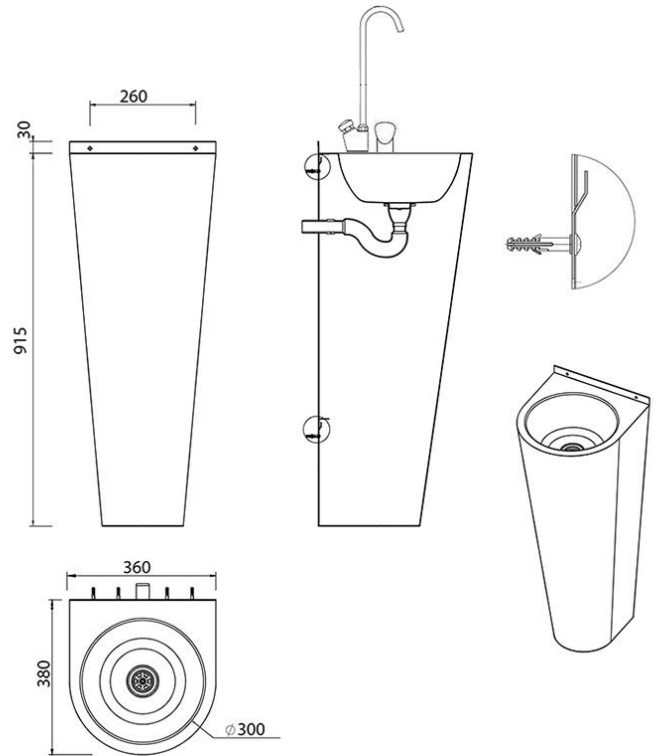


Adult Height Drinking Fountain With Bottle Filler Spout



Product Code: FSDB-A

Adult Height Drinking and Bottle Filling Fountain

Product Code FSDB-A

Stainless steel floor standing adult height drinking fountain with an added swan neck bottle filling spout giving convenient point of use drinking water with the option to refill re-useable drinking water bottles.

Manufactured from 1.6mm thick grade 304 stainless steel with a full adult height shroud the drinking and bottle filling fountain is very robust and resistant to vandalism. The rounded front provides safety for users whilst the full height shroud allows for the water pipes and waste to be concealed.

With a high polished bowl the combined adult height drinking and bottle filling station is easily maintained ensuring a long lasting finish. The smooth radius design helps prevent injuries associated with sharp corners, and along with the 30mm rear upstand aids cleaning which improves hygiene. The compact design allows the bottle filler station to be easily installed in any suitable location.

Please ensure that these are drained down and isolated in cold weather to avoid damage to the bubbler.

Dimensions & Specifications:

Width: 360mm.

Depth: 380mm from wall.

Height: 915mm plus 30mm rear upstand.

Material: 1.6mm thick grade 304 stainless steel.

Bottle filler: WRAS approved [Swan neck push button bottle filling tap](#).

Drinking fountain: [WRAS approved press button drinking water tap](#).

Supplied With:

Integral wall fixing brackets.

32mm flush grated waste fitting.

Standard chrome plated swan neck cup.

Delivery:

In stock, usually delivered in one to two working days.

Optional Fountain Extras:

[McAlpine plastic 32mm bottle trap](#).

**All pictures shown are for illustration purpose only and may be subject to change without notice. Actual product may vary due to product enhancement.
All dimensions shown are for guidance only and may be subject to change or alteration without notice. All items manufactured or purchased separately from a third party to fit our products should be checked against the actual dimensions of the physical product before purchase. We will not be liable for third party costs and consequential loss associated with the items not fitting third party components.**