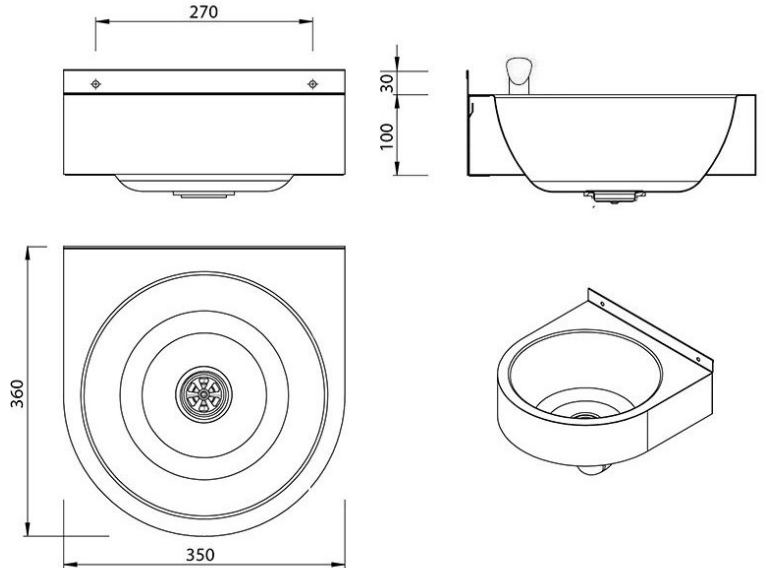


Drinking Water Fountain



Product Code: DWF

Wall Mounted Drinking Water Fountain

Product Code DFWH-WRAS

The wall mounted drinking fountains are manufactured from grade 304 stainless steel for durability, strength and easy cleaning. The design and size means you can mount the drinking fountain at any height to suit the age of the users.

The rounded front makes it safe for users with no sharp corners or edges.

The tap is operated by a press button which opens a self closing timed flow valve and the water flow and height is adjustable with a simple turn of the allen screw in the front of the tap.

Supplied with a concealed wall bracket, WRAS approved tap, and waste fitting.

Dimensions & Specifications:

Width: 350mm.

Depth: 360mm from wall.

Height: 100mm plus 30mm rear upstand.

Material: 1.2mm thick - Stainless steel - grade 304.

Bubbler tap: WRAS approved bubbler tap.

Please note the bowl is satin finish the previous version had a bright polished bowl.

Recommended Mounting Heights For Drinking Fountains:

Adult: 900 to 915mm.

Junior: 762mm.

Infant: 690mm.

Secondary: 860mm.

Supplied With:

Concealed wall fixing bracket.

32mm flush grated waste fitting.

WRAS approved chrome plated bubbler tap with shielded nozzle, self closing valve, and 1/2" threaded connection.

Delivery:

In stock, usually delivered in one to two working days.

Optional Fountain Extras:

Plastic 32mm bottle trap.

Chrome plated brass 32mm bottle trap.

****All pictures shown are for illustration purpose only and may be subject to change without notice. Actual product may vary due to product enhancement.**

All dimensions shown are for guidance only and may be subject to change or alteration without notice. All items manufactured or purchased separately from a third party to fit our products should be checked against the actual dimensions of the physical product before purchase. We will not be liable for third party costs and consequential loss associated with the items not fitting third party components.**