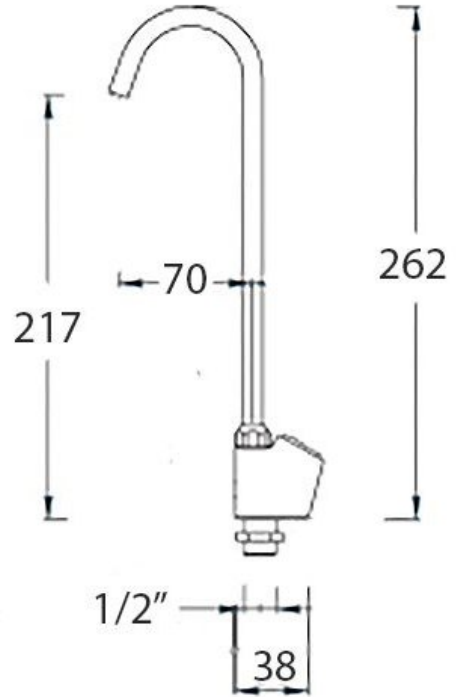


Handsfree Swan Neck Cup And Filler



Product Code: HANDSFREE_BOTTLEFILLER

Handsfree Wras Swan Neck Bottle Filler Tap

Product Code HANDSFREE-BOTTLEFILLER

WRAS Approved for compliance with water by-laws chrome plated brass handsfree swan neck bottle and cup filler tap, to be used with a foot pedal. Ideal as a replacement for existing handsfree cup filler taps, or to convert a tradition handsfree drinking water fountain into a bottle and cup filling station.

Dimensions:

262mm overall height.
217mm spout height.

Supplied with:

Chrome plated brass swan neck bottle filler tap.
1/2" brass back nut and rubber washer.

Delivery:

From stock 1 to 2 working days.

[For replacement cartridges see product code RUB-CARTRIDGE](#)

**All pictures shown are for illustration purpose only and may be subject to change without notice. Actual product may vary due to product enhancement.
All dimensions shown are for guidance only and may be subject to change or alteration without notice. All items manufactured or purchased separately from a third party to fit our products should be checked against the actual dimensions of the physical product before purchase. We will not be liable for third party costs and consequential loss associated with the items not fitting third party components.**